

**RED**

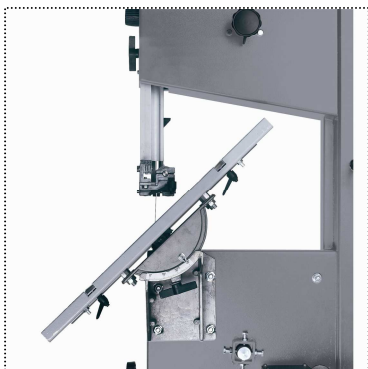
# RT-SB 305 U

## Bandsaw with Base Frame

The powerful RT-SB 305 U band saw offers many precision cutting options, e.g. longitudinal cuts, mitre cuts or freehand cuts. The band saw is ideal for cutting wood, plastics or similar materials. The pin guide ensures optimum guidance of the band saw blade. In addition, the RT-SB 305 U is equipped with an adapter for connection of a dust extractor.

With the standard undercarriage, the band saw can be used at ideal working height.

For mobile application the RT-SB 305 U is equipped with an undercarriage and handles for transport by a single person.



### Features

- Mobile undercarriage serially
- Continuously tiltable saw table from 0° to 45°
- Continuously height-adjustable saw band guidance
- Adjustable parallel stop with eccentric clamp for precise cuts
- Practical push stick
- Integrated connection for dust exhaust
- Lens für number scale
- 2 saw band speeds



